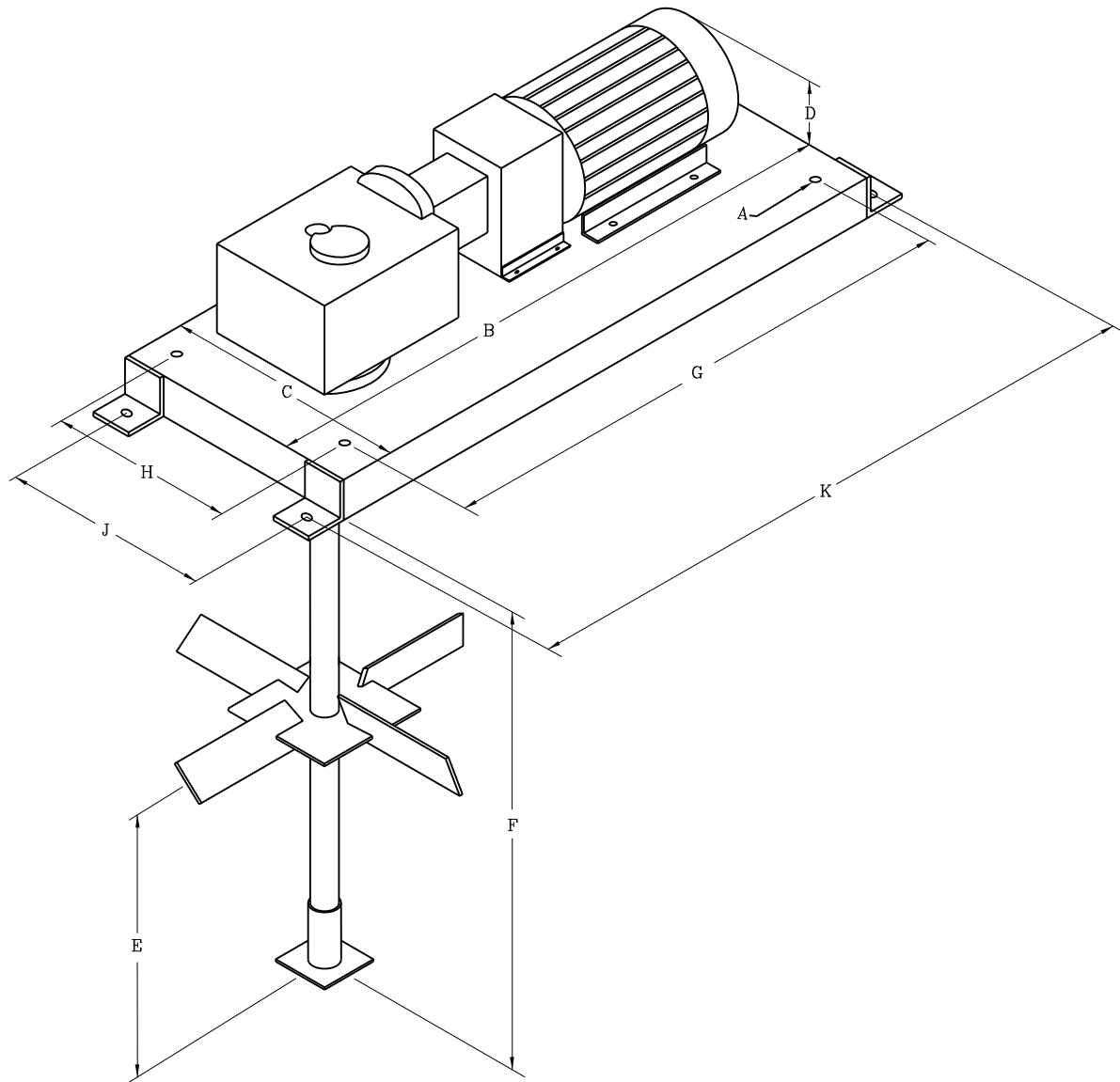


Inter-American Oil Works. L.T.D.



DESCRIPTION		MODEL 5LP	MODEL 7.5LP	MODEL 10LP	MODEL 20LP
MOTOR HORSEPOWER		5	7.5	10	20
MAXIMUM ALLOWABLE MUD WEIGHT		20#/G	20#/G	20#/G	20#/G
IMPELLER DIAMETER		31	35	39	39
SHAFT DIAMETER		2"	2"	2-1/2"	2-1/2"
IMPELLER RPM		86	86	86	86
A	MOUNTING BOLT HOLE DIAMETER	1/2"	1/2"	1/2"	1/2"
B	OVERALL SKID LENGTH	42"	48"	48"	48"
C	OVERALL SKID WIDTH	20"	21"	21"	23"
D	OVERALL HEIGHT ABOVE TANK	10-1/8"	12-5/16"	12-5/16"	14-1/4"
E	CENTER IMPELLER TO TANK BOTTOM	.70 BY IMPELLER DIAMETER			
F	TANK DEPTH DIMENSION				
G	MOUNTING DIMENSIONS	36"	38"	38"	
H	MOUNTING DIMENSIONS	14"	19"	19"	21"
J	BOLTING DIMENSIONS	17"	18"	18"	
K	BOLTING DIMENSIONS	45-1/2"	51-1/2"	51-1/2"	
WEIGHT (LBS.) LESS SHAFT AND IMPELLER		282	414	450	753

DRAWING # 300-0143		DATE DRAWN: 07/18/05	RU	OIL WORKS INC.
TOLERANCE		SHEET 1 OF 2		HARDNESS:
X.X ±.03		REF: N/A		MATERIAL:
X.XX ±.01				STOCK SIZE:
X.XXX ±.005				SAW LENGTH:
				ASSEMBLY: MUD AGITATOR
				DESCRIPTION: ASSEMBLY
				PART #:

